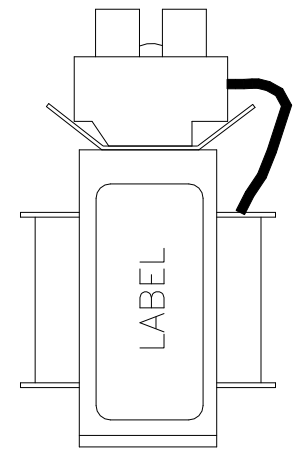
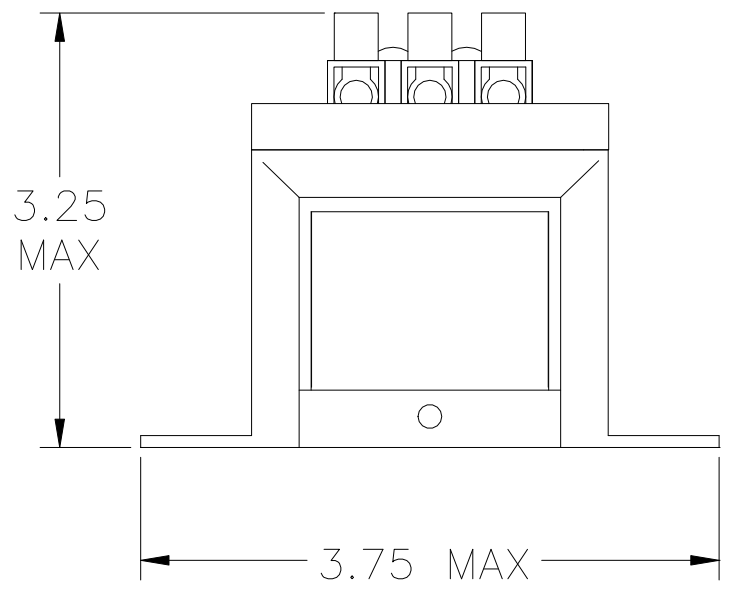
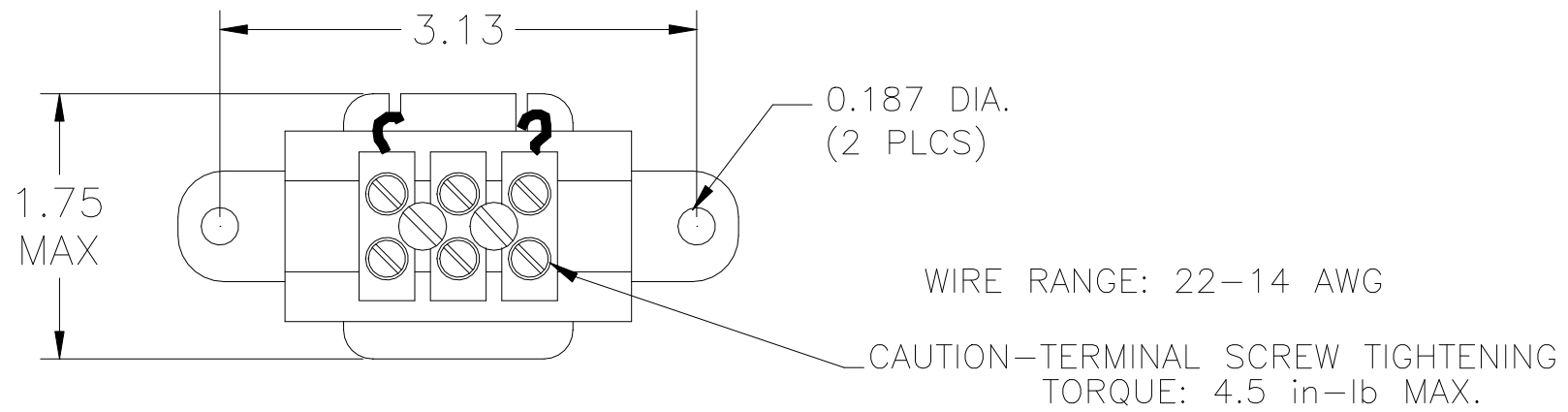


INDUCTANCE	LOSSES	WEIGHT
2 mH	5 Watts	2 Lbs

NO.	CHANGE DESCRIPTION	BY	DATE	C'K'D
03	REVISED PER ECR 7175, ADDED CD	RS	8/23/10	



UNLESS OTHERWISE SPECIFIED, DIMENSIONS ARE IN INCHES [mm] AND TOLERANCES ARE:

DECI. FRAC.

ANGLES DRILLED HOLES

PART NAME:	DC LINK CHOKE
DESCRIPTION:	OUTLINE DIMENSION
FINISH:	

MTE CORPORATION MEMONONEE FALLS, WISCONSIN			
CD 9RB001			REV. 04
SCALE	NTS	DATE 06/20/96	C'K'D
REF.	DR. BY	CEL	APP'D

FILE: